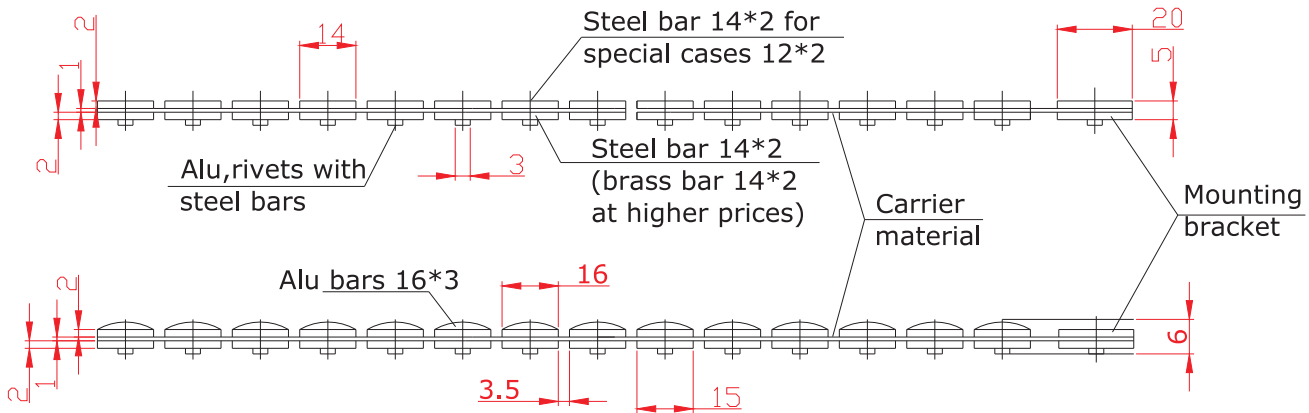
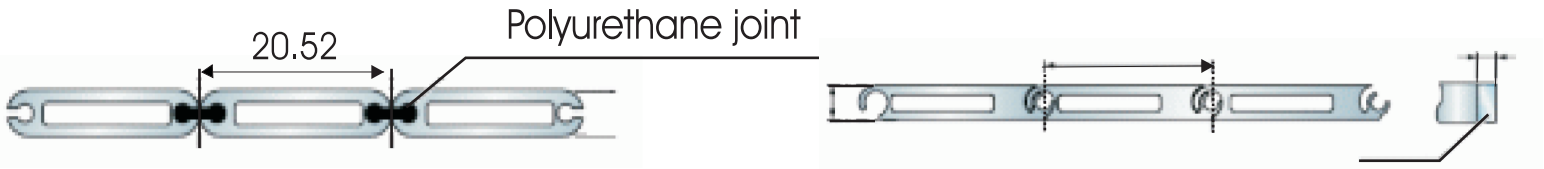
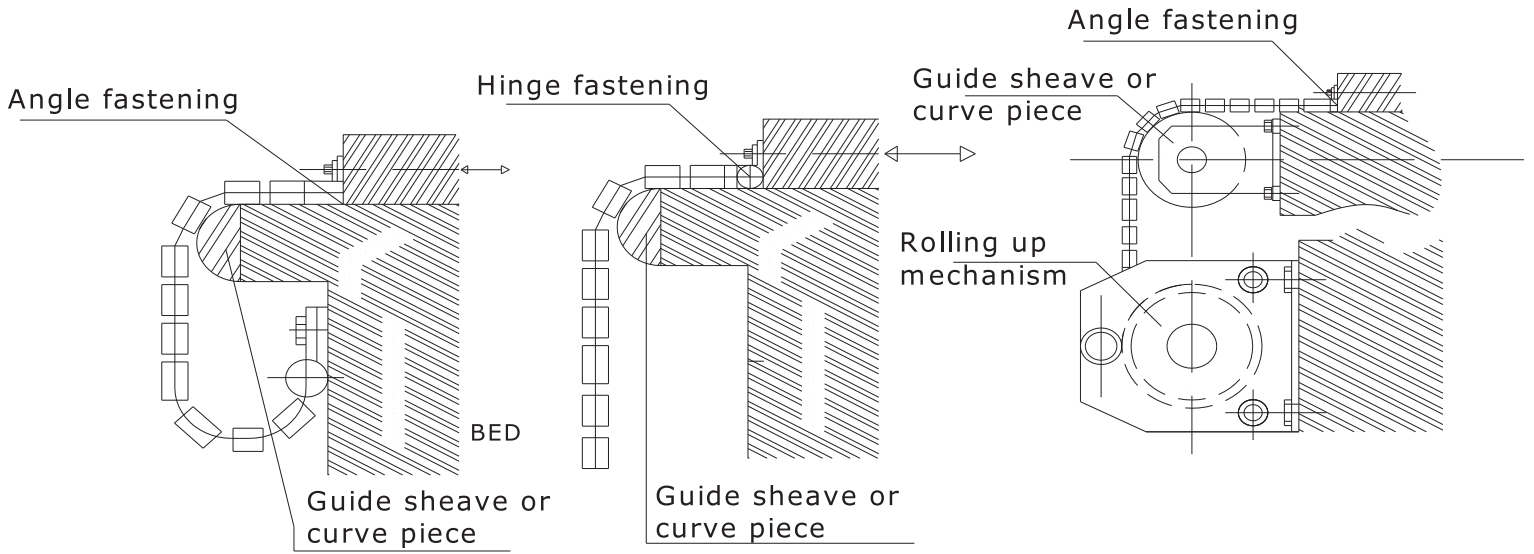


# Apron Covers Enquiry Form:



Type-50.2B

Dimensions in mm  
With/without plate available

Please mention your specifications

Your Company : .....  
 Customer Enquiry Number : .....  
 Contact : .....  
 Email : .....