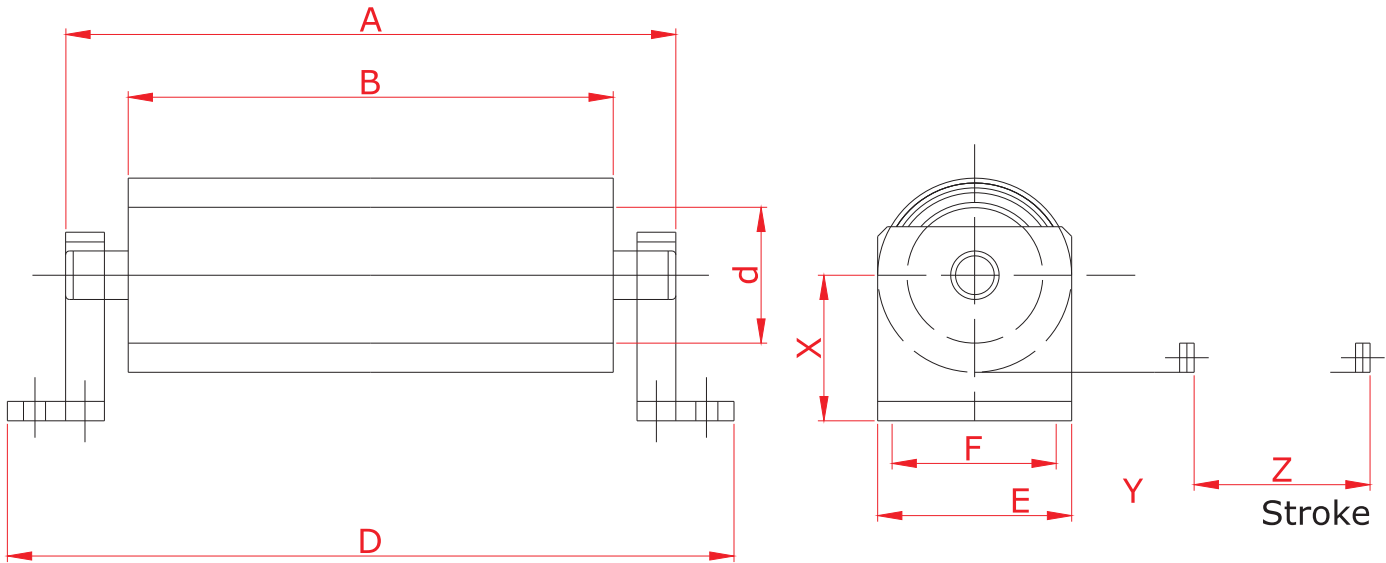


Roll way covers Enquiry form:



A= Total Width
 B= Width of Cover
 D= Cover + Side support width

E= maximum diameter with belt wound
 F= winding tube diameter
 Z= height between belt shaft centre distance & side supports Fixing Surface.

Please mention your specifications

Your Company :
 Customer Enquiry Number :
 Contact :
 Email :