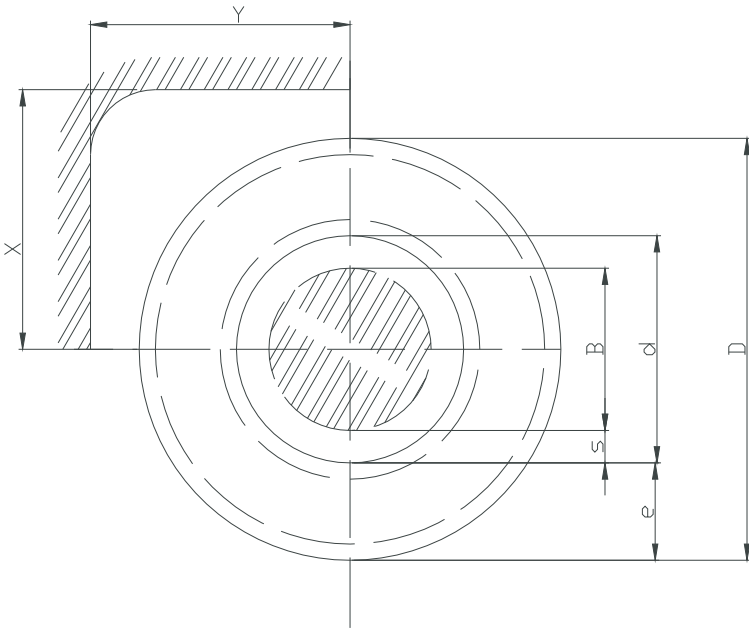


Round Bellows

Enquiry Form, Please complete:



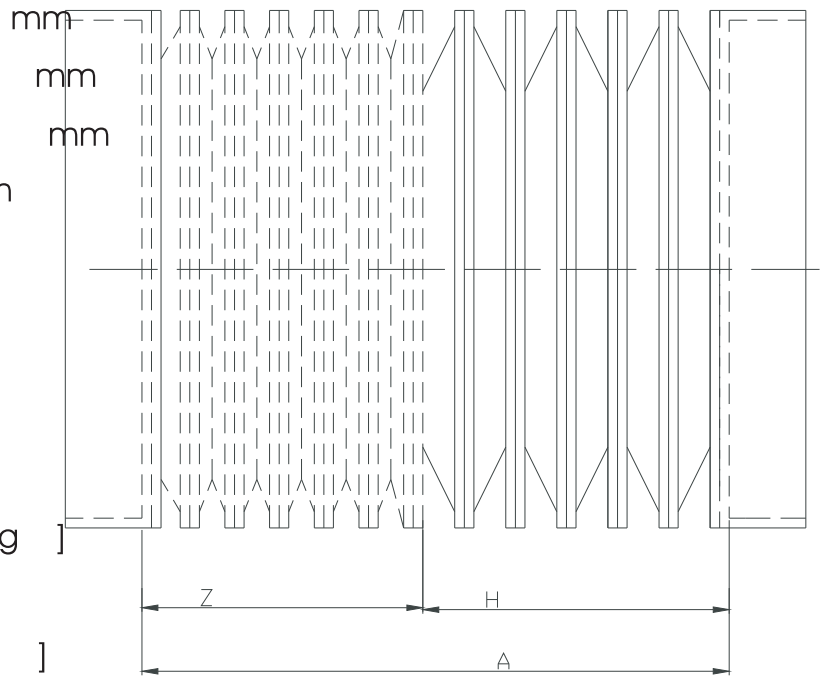
Compressed Length	Z =	mm
Traverse/Stroke	H =	mm
Extended length(Z+H)	A =	mm
Traverse Speed(m/min)	V =	mm

Dimensions of Bellow	
D = mm	E = mm
D = mm	S = mm
F No =	
C No =	

Screw or Shaft diameter	Z =	mm
Thread Type	pitch =	
Available Space	X =	
	Y =	mm

Mounting Detail : Horizontal/Vertical/Frontal	
Coolant: Yes/No	Chips: Yes/No
Chip Temperature :	
Working Hour Per day :	

Desired shape :	[Refer Pg]
Quantity Required :	units
Desired Cover Material :	[Refer Pg]
Desired End Frame :	Steel/PVC/Alu



Your Company :

Customer Enquiry Number :

Contact :

Email :